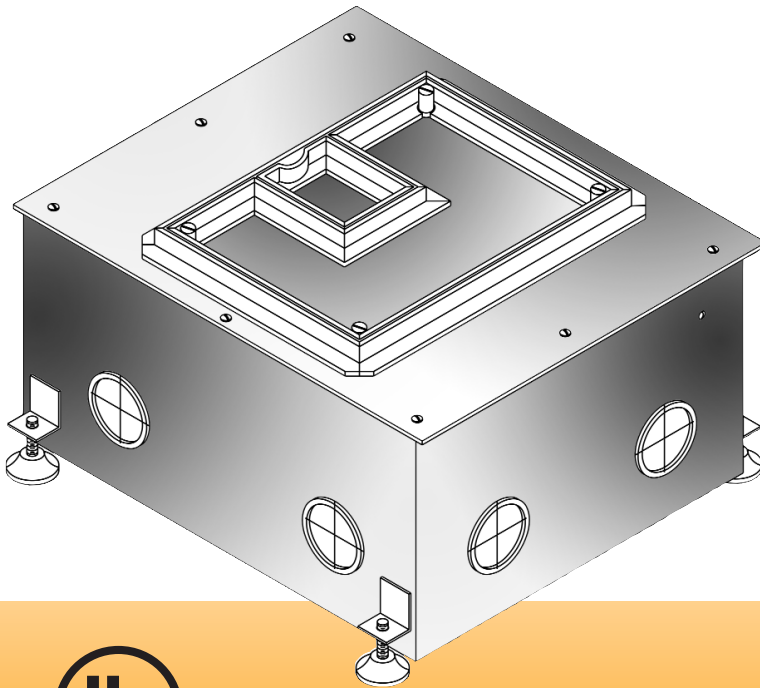


# FL-500P Floor Box



# FSR

## Metal Products Group

FL-500P Floor Box

- 11-gauge steel temporary construction cover
- 11-gauge finished steel cover with carpet edging
- Mitered brass or aluminum carpet edging .5" or .25" high
- Stainless steel compression latches
- Fold back cable exit
- Lift-off full access door
- 1" or 1.25" knockouts
- Leveling feet

**Scrub water approved for carpet, tile, and wood floors!**

### DESCRIPTION

The FL-500P floor box is designed for conference rooms, auditoriums, courtrooms, churches and all general meeting space with concrete floors that are covered with carpet. This floor box handles power, audio, video, telecommunications and data in one elegant and practical box.

The FL-500P is not only UL and CUL Listed but has also passed the latest UL test for scrub water. Because of FSR's unique engineering and manufacturing ability, FSR boxes passed for carpeted floors as well as tile and wood!

The lift-off section of the cover allows full access to internal connector plates and stored cables, and the smaller hinged cable access door flips back to create the cable exit. When the box is not in use, the cover is completely closed allowing unencumbered travel in the area with only the hand-mitered, elegant carpet edge visible. The low profile edging is 1/4" or 1/2" high and is available in brass or aluminum.

Inside the box are two angled brackets which handle standard size plates — 1 single, 1 double and 1 four gang opening. All are isolated for maximum safety. The FL-500P is designed to handle the rigors of a floor environment and still maintains flexibility and elegance.

Note: This box is not applicable for contact with grade (soil or gravel).

### SPECIFICATIONS

Size:	Box:	10" x 12" x depth
	Cover:	10.5" x 12.5" x .125"
Edging:	Height:	.25" or .5"
	Material:	Brass or Aluminum
Weight:		16 lbs.
Knockouts:		Total of Twelve, either 1" or 1.25"

### ORDERING INFORMATION

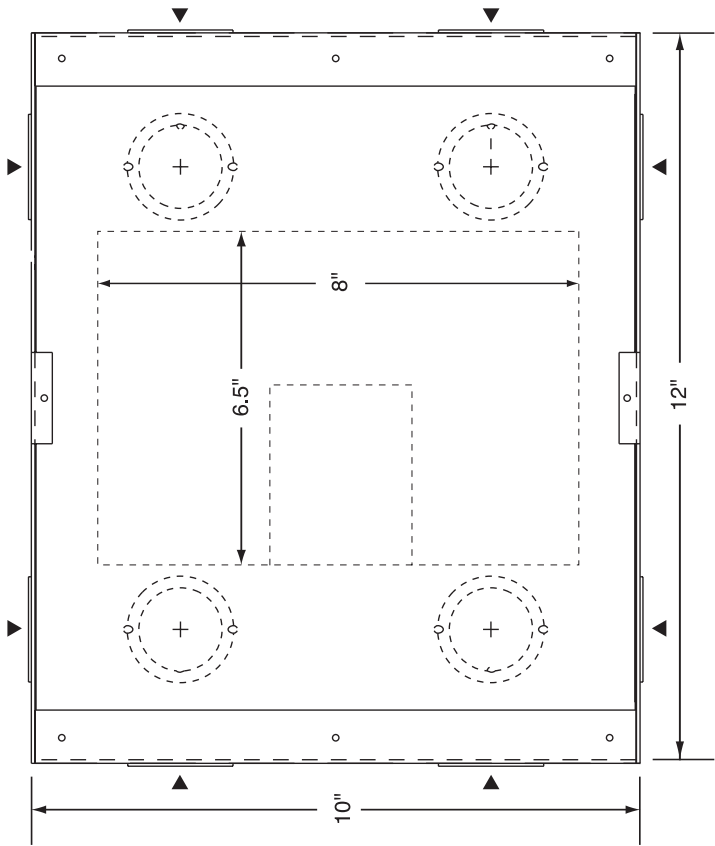
FL-500P-X -Y

X =	Cover Details
B	Brass .5" carpet flanges
S	Aluminum .5" carpet flanges
BLP	Brass .25" carpet flanges
SLP	Aluminum .25" carpet flanges
Y=	Floor box depth — 4 or 6 inches

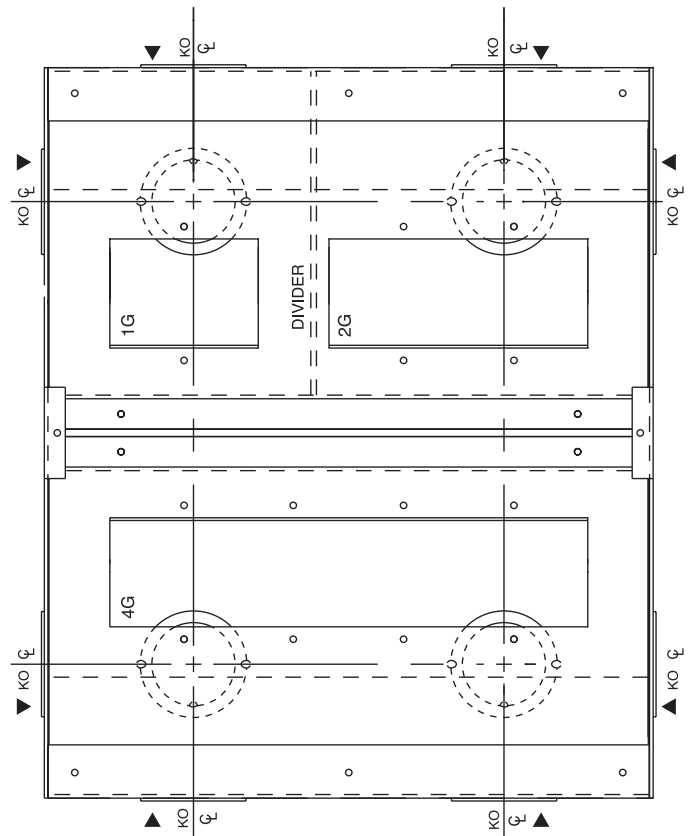
Example: FL-500P-S is an FL-500P floor box with an aluminum .5" carpet flange.

# FL-500P INTERNAL BRACKET KNOCKOUT ARRANGEMENT

**Top View With Door Location**

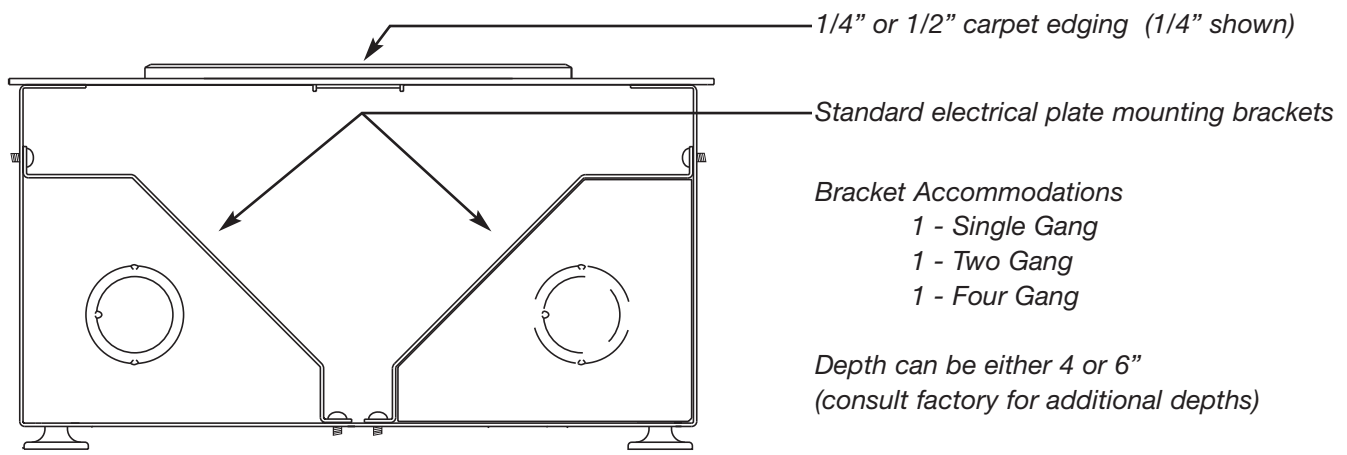


**Top View With Bracket Arrangement**



Note: ◀ Indicates 1" - 1/4" Knockout Location

**Side View Showing Internal Bracket Placement**



- Bracket Accommodations**
- 1 - Single Gang
  - 1 - Two Gang
  - 1 - Four Gang

Depth can be either 4 or 6"  
(consult factory for additional depths)



Scrub Water Components: FSR designed this box with stainless steel quarter turn compression latches and the highest quality 100% neoprene gasketing. Quality materials and unique engineering allowed UL to approve the box for carpet, tile and wood floors.