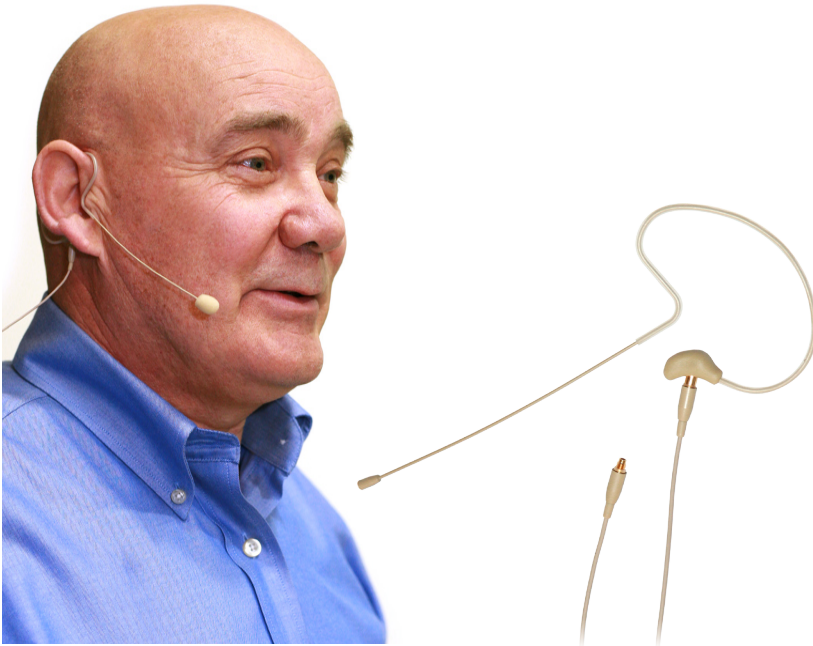


# CVEMS100BG

## mini ear-hook microphone technical data sheet



### key features:

- comfortable fit with or without glasses
- comfortable light weight
- minimum visibility
- removable windscreen reduces P pops
- inconspicuous extension cable behind ear
- convenient carry case to hold microphone and connecting wire

### key applications:

The Convex AV CVEMS100BG headworn microphone is designed for use in demanding professional applications. The microphone exhibits excellent sound quality with exceptional immunity to "P Pops". Its ability to handle very high SPLs (volume) means the microphone is perfect for high quality vocal speech applications as well as drama, theatrical and dance environments.

The 1 m x 1 mm cable has 1 mm brass threaded connectors at both ends to connect the headworn microphone to a belt-pack. Rather than permanently soldering the cable onto a dedicated belt-pack connector, the Convex AV CVEMS100BG employs a user-removable belt-pack connector (Hirose, Mini XLR, 3.5mm) with the mating brass end. This allows the headworn microphone to be connected to a variety of wireless body packs from different manufacturers. A selection of connectors, as opposed to having microphones with dedicated terminations, makes the CVEMS100BG a very flexible microphone for users and rental houses with multiple brands or wireless microphone systems.

### specifications: CVEMS100BG

Pattern	Omni-directional
Element	Back electret
Frequency response	75 Hz - 18 kHz
Sensitivity	-35±3 1 V/Pa @ 1 kHz
Output impedance	2K Ω ±30%
SPL maximum	140 dB
Voltage	0.8 - 5 V
Connecton type	4-pin adapter allows for CVEMS-100BG to be used with popular wireless microphone systems including Mipro and Beyerdynamic. Other adapters available for Telex, Shure, Audio-Technica and Sennheiser wireless microphone systems.

### physical dimensions:

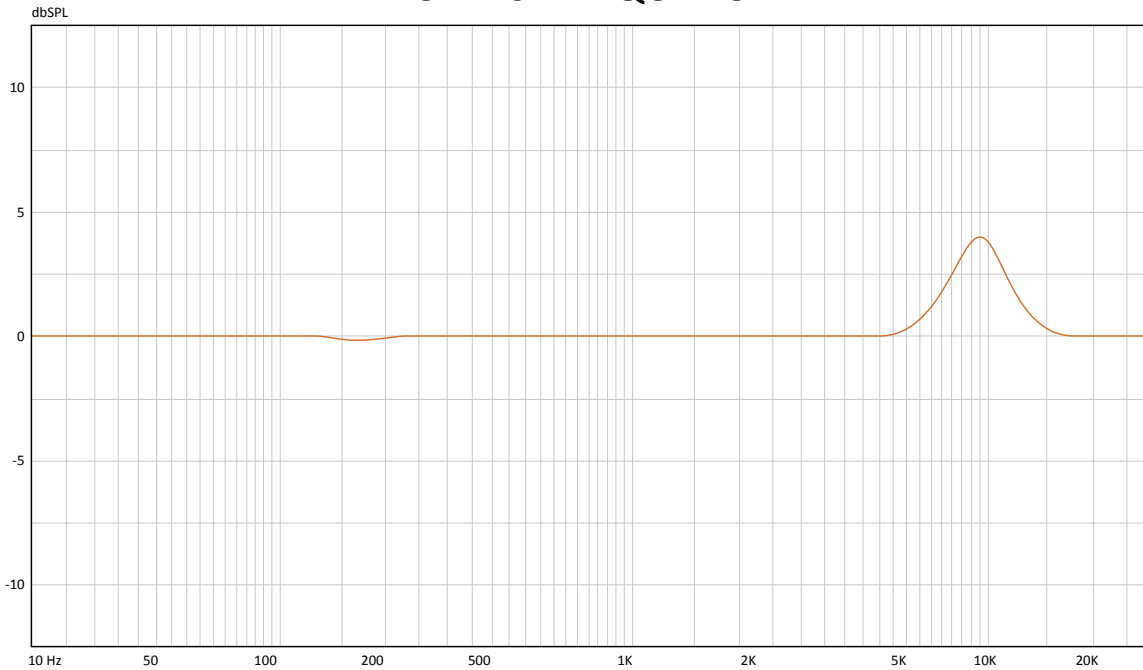
Weight	13 g
Boom length	110 mm
Cable length	1.4 mm x 1.2 m long



# CVEMS100BG

mini ear-hook microphone  
technical data sheet

## SPL vs. FREQUENCY



CVEMS100BG frequency response

### ordering information:

CVEMS100BG

beige head-worn microphone with T5C  
beige adaptor and 1m cable

CVEMS100BG available adapters:

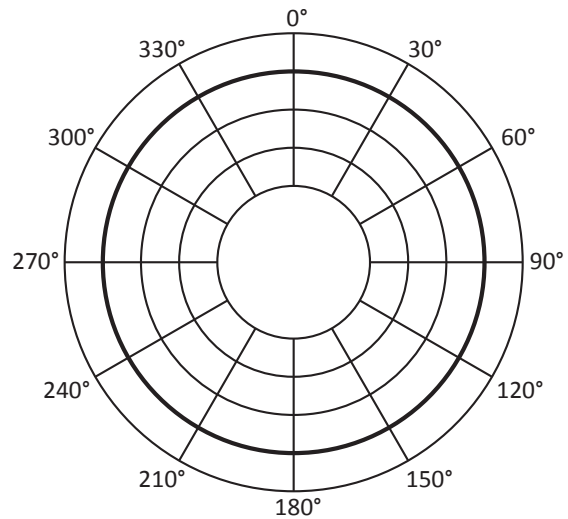
CVEMS-ADAPT-AT for Audio-Technica

CVEMS-ADAPT-SN for Sennheiser

CVEMS-ADAPT-SH for Shure

CVEMS-ADAPT-MI for MIPRO

CVEMS-ADAPT-EV for EV



CVEMS100BG pick-up polar pattern

PRÉSENCE

Québec

Montréal

Tél. : (418) 681-2470

Tél. : (514) 871-1994

[www.presence.qc.ca](http://www.presence.qc.ca)

