



GET YOUR MESSAGE ACROSS WITH MORE CLARITY AND IMPACT
The projector for today's evolving classroom

NEW

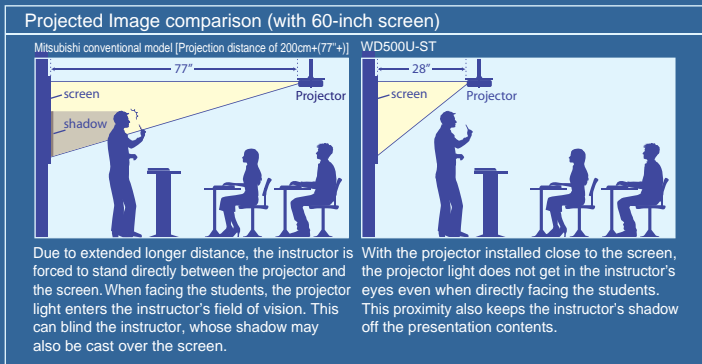
Ultra-short Throw WXGA
WD500U-ST



Functional Performance at its Best

► Ultra-Short Throw Projection

The issue of presenting in environments with limited projection space can be eliminated with the new WD500U-ST. This native WXGA projector is equipped with an ultra powerful short-throw lens that can project an amazing 60-inch diagonal image from a distance of just 28 inches from the screen. With such an amazing short projection distance, concern of casting a presenter's shadow in front of the screen is now eliminated.



- Native WXGA Resolution (1280x800)
- 2100 ANSI lumens
- 2500:1 Contrast ratio
- Optional Whiteboard and Blackboard modes
- Center lens design for easy symmetrical installations
- Splash screen and wall screen support
- DVI Connectivity



Easy Maintenance & Security Features

- Top-access lamp cover for easy lamp replacement
- Filter-free design
- Enhanced security features with reinforced anti-theft security bar and password protection



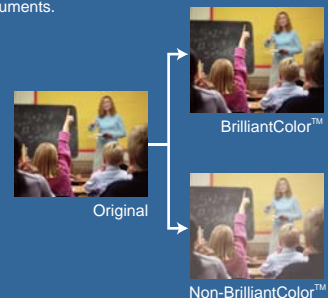
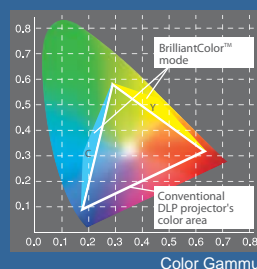
Top Access Lamp Cover

BrilliantColor™ Technology and Mitsubishi Electric's Engineering Yields Superior Color Performance

BrilliantColor™ Technology is Texas Instruments latest innovation in producing amazing, rich, and vibrant colors. At Mitsubishi Electric, we developed a 6-segment color wheel that includes the colors of R, G, B, W, Y, C. Apart from the typical red, green, blue and white, we added yellow and cyan segments to display a wider color spectrum. In addition, we coded our color algorithms to emphasize brightness or color modes, designed to match the environment where the WD500U-ST is used.

Together with selective lamp powered modulation techniques, the WD500U-ST with BrilliantColor™ technology acts intelligently to boost colors to improve the intensity and vibrancy of an entire display. For instance, when projecting an already-bright screen image, the lamp is programmed to provide brighter, more vivid colors. In contrast, if the image shows genuine color reproduction, the algorithm delivers just the right colors with the appropriate radiance for maximum visual impact.

*BrilliantColor is a trademark of Texas Instruments.

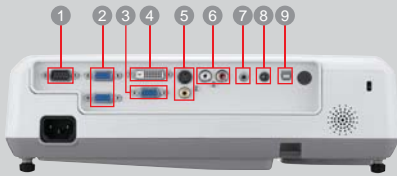




Ultra-Short Throw WXGA WD500U-ST



Input and Output Terminals



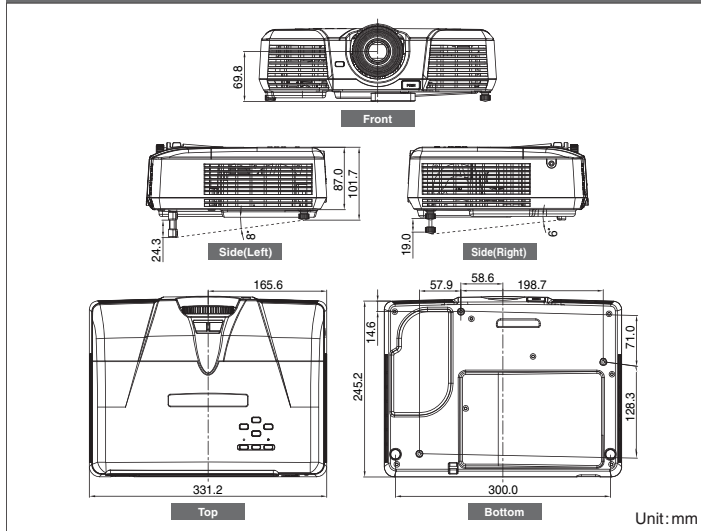
- 1 Serial RS-232C
- 2 PC / Component Video input (mini D-sub 15pin)
- 3 PC / Component Video output
- 4 DVI-D (with HDCP)
- 5 S-Video / RCA
- 6 Audio input [RCA jack (L/R)]
- 7 Audio input (stereo mini jack)
- 8 Audio output
- 9 USB terminal for Page Up/Down

Specifications

| | |
|-------------------------|---|
| Model | WD500U-ST (Short throw) |
| Display technology | 0.65"1-Chip DMD, 12 deg. LVDS, DDP2230 |
| Resolution | 1280 x 800 (total 1,024,000 pixels) |
| Color wheel | 6 segment color wheel (R/G/B/W/Y/C) |
| Brightness | 2100lm |
| Contrast ratio | 2500:1 (on-off) |
| Projection lens | f=7.7mm, F=2.8 |
| Offset axis | 14.3 : -1 |
| Throw ratio | 0.59" |
| Picture size | 40" ~ 300" (Wide) |
| Source lamp | 180W (Shut Off Time 4000hrs) with Low Mode, 230W (Shut Off Time 2000hrs) with Standard Mode |
| Computer compatibility | 640 x 480 ~ 1280 x 1024 (Compressed), 1280 x 800 (Native), includes WXGA, Sync on green available |
| Video compatibility | NTSC / NTSC4.43 / PAL (including PAL-M, N) / SECAM / PAL-60 Component Video: 480i/p (525i/p), 576i/p (625i/p), 720p (750p), 1080i (1125i 60Hz), 1080i (1125i 50Hz) |
| Input terminals | RGB: mini D-sub15pin x 2, DVI: DVI-D (with HDCP), Video: RCA x 1 + S-video x 1 PC audio: stereo mini jack (φ3.5mm) x 1, RCA jack (L/R) x 1 |
| Output terminals | RGB: mini D-sub15pin x 1, Audio: stereo mini jack (φ3.5mm) x 1 |
| Communication terminals | RS-232C (D-sub 9pin) x 1, USB terminal for Page Up/Down x 1 |
| Audio speaker | 2W mono |
| Dimensions (W x H x D) | 332 x 102 x 250 mm / 13.1 x 4.0 x 9.8 inch (excluding height adjustment) |
| Weight | 3.4kg / 7.5lbs |
| Power supply | AC100-240V, 50/60Hz |
| Power consumption | 330W / 3.3A |
| Fan noise | 29dBA (Low mode), 35dBA (Standard mode) |
| Optional lamp | VLT-XD510LP |
| Warranty | 3-Years Parts/Labor, 3-Years Express Replacement Assistance, 1-Year or 500 hours lamp warranty (whichever comes first) |
| Accessories | Adjustable Wall Mount (PROJ-WM), Ceiling Mount (PROJ-UCM-PRO2 - Universal Ceiling Mount), Hard Shell Rolling Case (DKT1-ATAC), Soft Carrying Case (XL1-SSCC), Soft Rolling Case (DKT1-SRCC) |

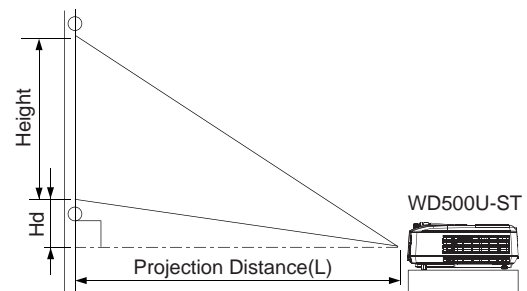
* All brand names and product names are trademarks, registered trademarks or trade names of their respective holders.

Dimensions



Screen size and Projection distance

As seen from the side



Screen size chart

| Screen (16:10 aspect ratio) | | | | | Distance from screen (L) | | Height projected image (Hd) | | |
|-----------------------------|-----------|----|------------|----|--------------------------|----|-----------------------------|-----|----|
| Diagonal size | Width (W) | | Height (H) | | inch | cm | inch | cm | |
| 40 | 102 | 34 | 86 | 21 | 54 | 18 | 0.5 | 1.6 | 4 |
| 60 | 152 | 51 | 129 | 32 | 81 | 28 | 0.7 | 2.4 | 6 |
| 80 | 203 | 68 | 172 | 42 | 108 | 37 | 0.9 | 3.2 | 8 |
| 100 | 254 | 85 | 215 | 53 | 135 | 47 | 1.2 | 4.0 | 10 |

* The above screen sizes are for projector installation with short-throw arm.

** The above numbers are approximate, and may be slightly different from the actual measurements



PRESENTATION PRODUCTS



Québec Montréal
Tél. : (418) 681-2470 Tél. : (514) 871-1994

www.presence.qc.ca