

NEW PRODUCT

Entry-level Large-screen Monitors

Smartly designed commercial-use displays with excellent reliability, functionality and high image quality offered at affordable prices.



● Flexible Landscape or Portrait Installation

Evolutionary imaging and installation design technologies enable the displays to be mounted in both landscape and portrait-style orientations.

● Multi-level Screensaver

Equipped with a four-level screensaver function, each level (Gamma, Cooling fan, Brightness and Motion) can be set to specific application requirements, increasing panel service life.

● Daisy-chain Capability

RS-232C output compatibility greatly simplifies system setup, and enables all displays connected in the series to be controlled by a single computer.

● Energy-efficient Operation

The Programmable Scheduling function enables usage schedules to be preset, saving energy and increasing panel service life by turning the panels off when not needed.

● Supports HDMI

The ability to reproduce images with high picture quality from sources such as Blu-ray players further expands application possibilities.

32" LCD Display

**LDT
323V**

Resolution
1366x768

Colours
16.7 million

Brightness
450cd/m²

Contrast Ratio
3000:1

Viewing Angle
**Up/Down 178°
Left/Right 178°**

Response Time
6.5ms (Grey to Grey)

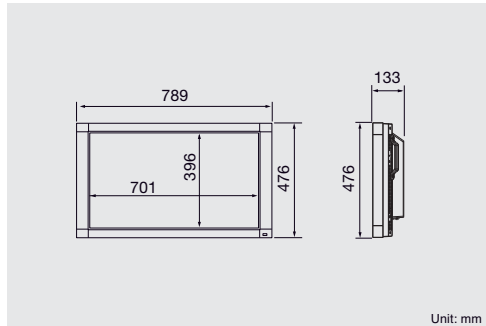
Options

Speakers: **SP-321V**

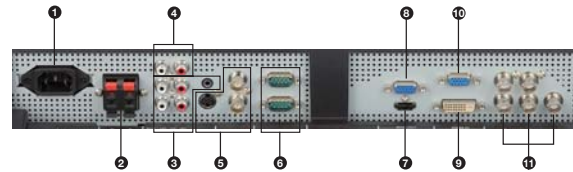
Stands: **ST-321V**



Dimensions



Connector Terminals



- 1 Power in (3-pin with earth terminal)
- 2 External speaker terminals
- 3 Audio in
- 4 Audio out (RCA)
- 5 Video I/O (BNC/S-terminal)
 - S-Video in (mini DIN 4-pin)
 - Video in (BNC)
 - Video out (BNC)
- 6 RS-232C (D-sub 9-pin)
- 7 RGB 1 in (HDMI)
- 8 RGB out (mini D-sub 15-pin)
- 9 RGB 2 in (DVI-D)
- 10 RGB 3 in (mini D-sub 15-pin)
- 11 RGB 4 in, DVD/HD in (BNC)

Specifications

Orientation	Landscape/Portrait	
LCD module	Screen size (diagonal)	31.5" (800mm)
	Panel type	VA
	Pixel pitch	0.511mm
	Resolution	1366 x 768
	Colour	Approx. 16.7 million
	Brightness (typ.)	450cd/m ²
	Contrast ratio	3000 : 1
Viewing area	Viewing angle (CR≥10)	Up / Down 178°; Left / Right 178°
	Response time	6.5ms (Grey to Grey)
Power management	VESA DPM	
Plug-n-Play	VESA DDC2B, DDC/CI	
Auto adjustment	Contrast, Position, Phase, Clock	
OSD user functions	Brightness, contrast, zoom, PIP, Screen saver, Side border colour, Gamma selection, Heat status, Power-on delay, Schedule, Tiling, Closed Caption, etc.	
PC Input/Output	Input connector (Analog)	Mini D-sub 15-pin, BNC (R, G, B, H, V); PC/AV common
	Output connector (Analog)	Mini D-sub 15-pin
	Horizontal frequency	15.625/15.734/31.5 - 91.1KHz
	Vertical frequency	50, 58 - 85Hz
Input/Output signal	Video signal	Analog : RGB, Digital : RGB
	Sync signal	Analog: separate (TTL), composite(TTL), Sync-on-Green, Digital : TMD5
	Resolutions supported	640 x 480, 800 x 600, 1024 x 768, 1280 x 768, 1366 x 768, 1280 x 1024, 1600 x 1200, 1920 x 1080, 1920 x 1200 (simplified compression)
	Input connector (Analog)	Composite video <BNC, RCA>, S-terminal, BNC(Y/Pb/Pr); PC/AV common
AV Input/Output	Output connector (Digital)	HDMI (PC/AV common), DVI-D (with HDCP, PC/AV common)
	Output connector	Analog: composite video <BNC>
	Resolutions supported	Composite signal/S-terminal: NTSC, PAL, SECAM, 4.43 NTSC, PAL60 Component signal: 480i, 480p, 576i, 576p, 720p, 1080i
	Input connector (Analog)	RCA pin-jacks x 2 (L/R), stereo mini jack
Power Supply	Audio Input/Output	HDMI (Digital Audio) RCA pin jacks (L/R)
	External speaker output	Speaker terminals (L/R), 7W + 7W (8ohm)
	Control Input/Output	RS-232C <D-sub 9-pin> RS-232C <D-sub 9-pin>
	Voltage, Current	AC100-240V, 50/60Hz
	Consumption	103W(85W w/o speakers)
	Consumption in economy mode	Less than 2W 0W with power switch off
	Dimensions (WxHxD)	Net 789 x 476 x 133mm (31.1 x 18.7 x 5.2") Overall 930 x 645 x 325mm (36.7 x 25.4 x 12.8")
Weight	Net	Approx. 14.5kg/32.0lbs
	Gross	Approx. 20.0kg/44.1lbs
Wall mounting interface	12 holes, M6 screws (100mm (4.0") pitch) for monitor mount	
Regulation/Guideline compliance	UL60950-1/C-UL/CE Marking/BSMI/GOST-R/FCC-B /DOC-B/C-Tick/RoHS/US Mercury/CCC (Chinese models only)	
Accessories	Power cord, signal cable (mini D-sub 15-pin to mini D-sub 15-pin cable), User's Manual, remote control, batteries, main power switch cover, clamps, cable bands, etc.	

The display size stated in flyer copy is rounded off to a whole number. The actual size is listed in the Specifications chart.


MITSUBISHI ELECTRIC CORPORATION
 HEAD OFFICE: TOKYO BLDG., 2-7-3, MARUNOUCHI, CHIYODA-KU, TOKYO 100-8310, JAPAN
<http://Global.MitsubishiElectric.com/>


PRÉSENCE

Québec Montréal
 Tél. : (418) 681-2470 Tél. : (514) 871-1994
www.presence.qc.ca


MITSUBISHI ELECTRIC SALES CANADA INC.
 4299 14th Avenue, Markham, ON L3R 0J2 Fax: (905) 475-7958 Tel: (905) 475-7728
www.MitsubishiElectric.ca

